

DIY Module Series

FPV Video Receiver

FS58R3M(W)

4900~5945MHz -90dBm

KEY FEATURES

Audio Output: 58R3M(supported) , 58R3MW(without)	
Weight	4.5g
Dimensions	L28 x W23 x H3.5mm
DC Characteristics	
Power Supply	+3.3-5.0V
Current Consumption	220mA, Max
Environmental Specification	
Operating Temperature	-10~+65°C
Storing Temperature	-30~+85°C
Operating Humidity	85%RH
RF	
Receiving Frequency Range	4900~5945MHz
Voltage Standing Wave Ratio	2:1
Demodulation System	FM/PLL
IF	480MHz
ANT. Input Impedance	50Ω, Typ.
LO Frequency Stabilization	±100kHz
LO Frequency Precision	±100kHz
LO Control	PLL
Input LO Leak	-55dBm
Receiving Sensitivity	-90dBm
Input Level Range	-90dBm~+5dBm
Video Characteristics	
Video Output Impedance	75Ω, Typ.
Video Output Level	1±0.2Vp-p
Video Polarity	Negative
Video Frequency Response	±5dB, Max. 50Hz~6MHz
Differential Gain	±5%, Max
Differential Phase	±5Deg., Max
3Db IF WIDEBAND	16.5MHz
S/N	38dB, Min
RSSI Output Voltage(-30dBm~-90dbm)	0.7~2.2V



58R3MW

Board code: MM238R(W)

58R3M

APPLICATIONS

- FPV Drone Racing
- UAV Communication Systems
- Remote Vehicle Monitoring
- Wireless Video Transmission Systems

Audio	
Audio Output Impedance	2KΩ, Typ.
Audio Output Level	1±0.2Vp-p, Typ.
Audio Output Frequency Range	100Hz~20kHz
Audio Carrier	6.5MHz(AL)
Audio Carrier Precision	±30kHz
Audio S/N(50Hz~15kHz)	50dB, Min
THD: (50Hz~15kHz, 3 Vp-p) Siné Wave	1.5%,Max



DIY Module Series

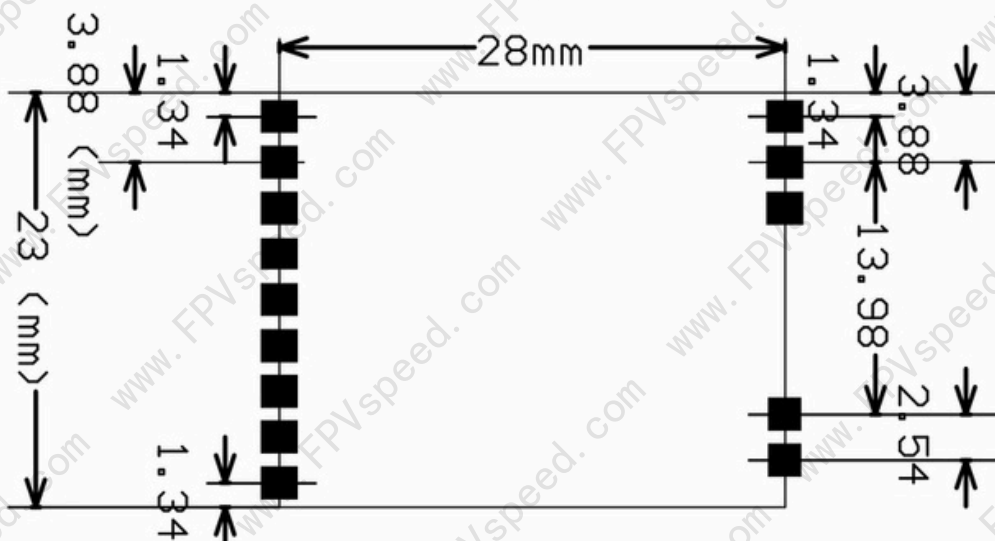
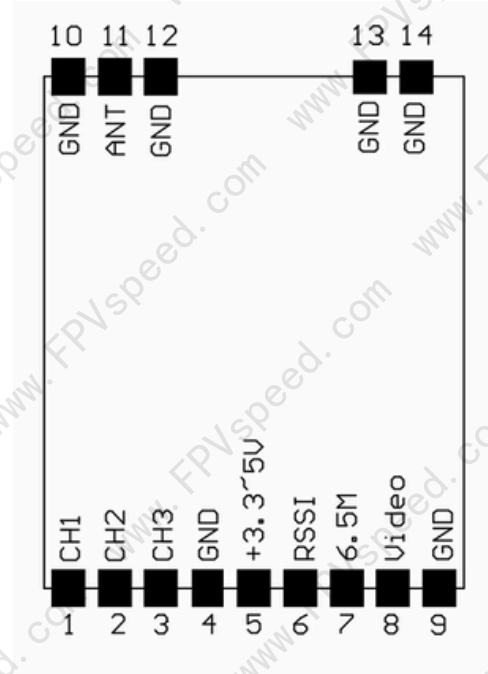
FPV Video Receiver

FS58R3M(W)

FPVspeed™

4900~5945MHz -90dBm

Pin No.	Function
1	CH1: DATA
2	CH2: LE
3	CH3: CLK
4	GND
5	+3.3~+5V Out
6	RSSI: RF Signal Strength Indication
7	Audio AL Out
8	Video Out
9	GND
10	GND
11	ANT IN
12	GND
13	GND
14	GND



DISCLAIMER

⚠ This product is intended for civilian and commercial use only. It is strictly prohibited from being used for any military purposes or activities.